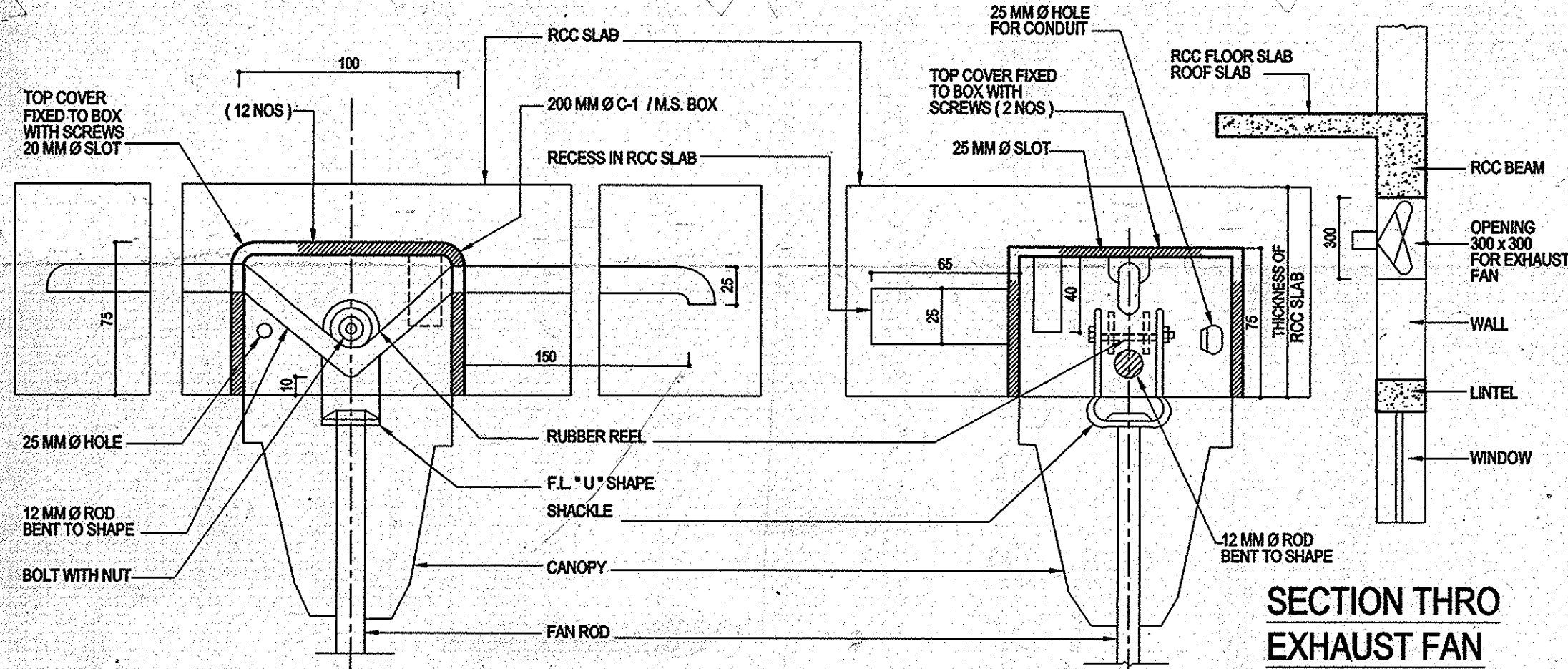


NOTES

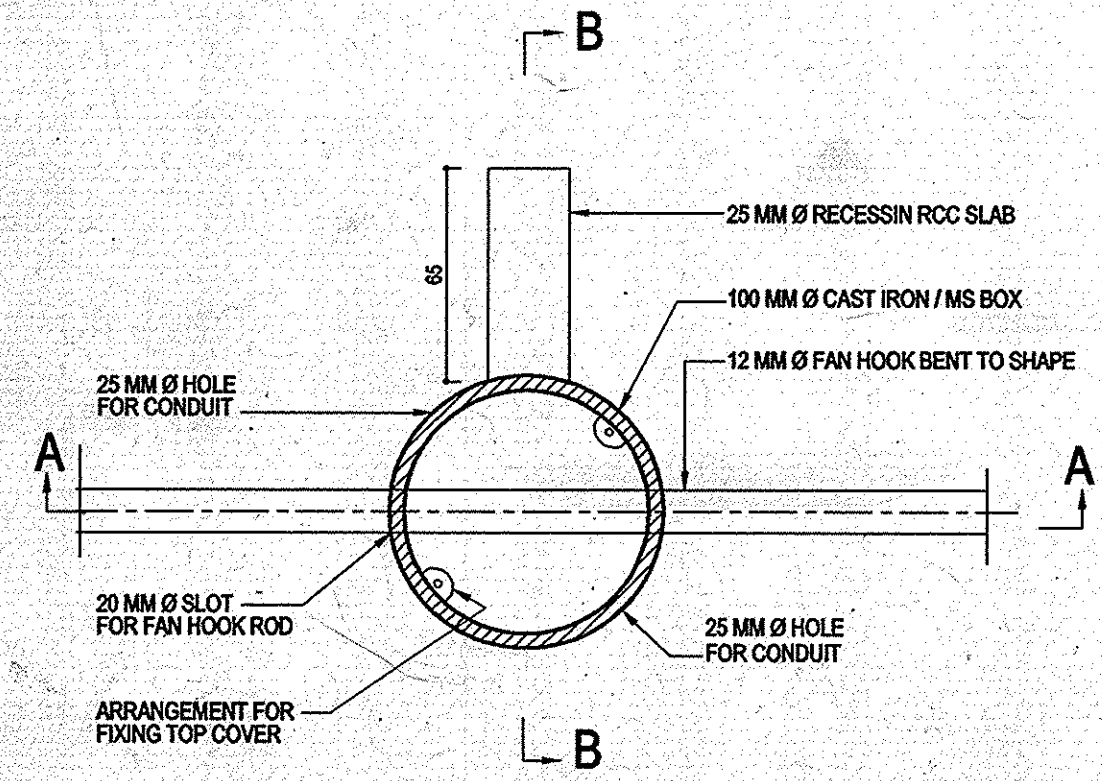
1. CONTRACTOR TO CHECK & VERIFY ALL DIMENSIONS BEFORE EXECUTION OF THE WORK.
2. FIGURED DIMENSIONS SHALL BE FOLLOWED.
3. ALL DIMENSIONS ARE GIVEN IN MILLIMETRES UNLESS OTHERWISE STATED.
4. BOLT FOR SUSPENDING THE FAN WILL BE PLACED IN THE RECESS IN RCC SLAB AS SHOWN IN THIS DRG BEFORE PLACING SHACKLE AND RUBBER REEL IN POSITION.
5. AFTER THIS REEL AND SHACKLE HAVE BEEN KEPT IN POSITION THE BOLT WILL BE SLIDED IN TO HOLE OF THE REEL AND NUT TIGHTENED.



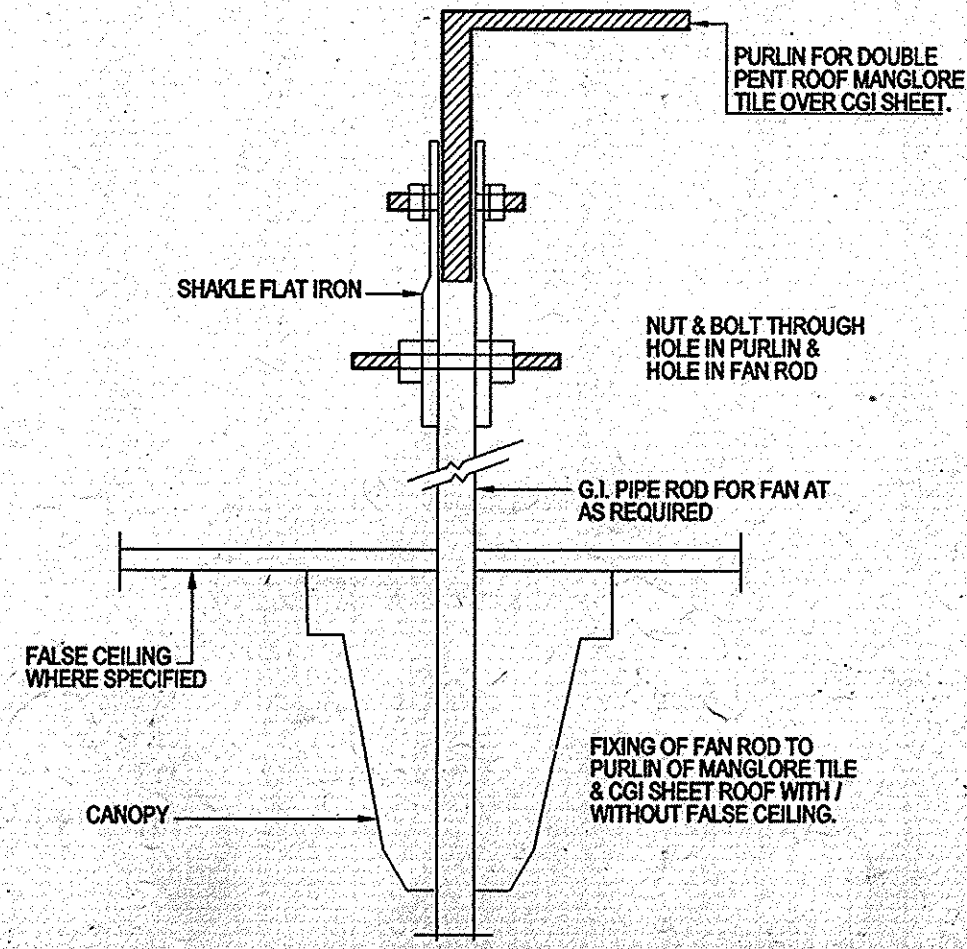
SECTION THRO EXHAUST FAN

SECTION ON A-A  
FIXING DETAILS OF FAN HOOK TO RCC SLAB

SECTION ON B-B



PLAN OF CAST IRON / MS BOX



FIXING DETAILS OF FAN HOOK TO PURLIN

DRAWING COMPARED BY

D.B. GAIKWAD

07/06/2003

R. Rana Mohini  
CHIEF D'MAN

TYPICAL DETAILS OF FAN - HOOK

DRN	WABLE	CHIEF ENGINEER	DATE
TCD		PUNE ZONE	01-10-88
CAL		PUNE	SCALE
CKD			1:25

ASST. ARCHITECT		sd xxx S.O. II (E/M)	
		sd xxx S.O. I E/M FOR CEPZ PUNE	
DRG. NO. CEPZ/88/TD/11M		SHT. 1/1	